

FDS-32

CCC CE CB SAA TÜV RoHS

Solar DC Fuse



FEED
ELECTRIC

FDS-32 Solar DC Fuse



Application

A range of 10x38mm fuse links specifically designed for protecting photovoltaic strings. These fuse links are capable of interrupting low overcurrents associated with faulted photovoltaic string arrays (reverse current, multi-array fault).

Structural Characteristics

- According to IEC60269-1
- Rated current: 1-32A
- Rated voltage: DC 1000V
- Rated breaking capacity: DC 33kA
- Operating class gPV for Solar protection

Specification

Pole	1P
Rated Voltage Ue (V DC)	1000
Rated Current In (A)	1, 2, 3, 4, 5, 6, 8, 10, 12, 15, 20, 25, 32
Biggest Block Ability(KA)	33
The Most High Power Consumption(W)	3.5

Connection and Installation

Connection(mm ²)	2.5 -1 0
Working Temperature(°C)	-30~+70
Resistance And Damp Hot	Class 2
Altitude(m)	≤ 2000
Relative Humidity	≤ 95%
Protection Class/Degree	IP20
Pollution	3
Installation Environment	No obvious shock and vibration
Installation Class/Type	Class III/DIN rail

Size(mm)

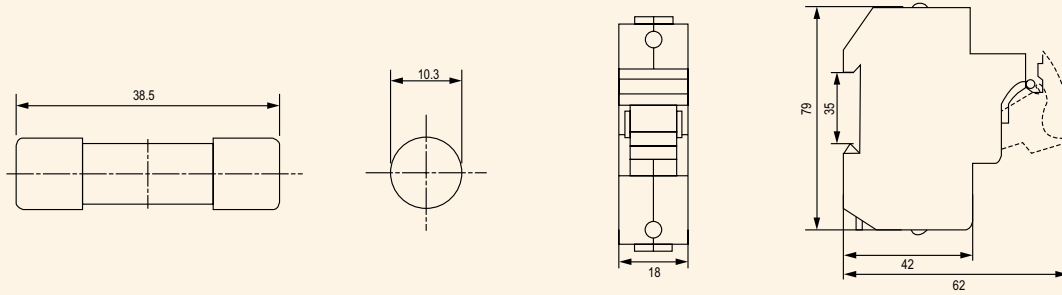
Size/Dimension(mm)		
(WxHxL)	W	18
	H	60
	L	78
Fuse Size		10x38
Weight (kg)		0.07

PV fuse Description

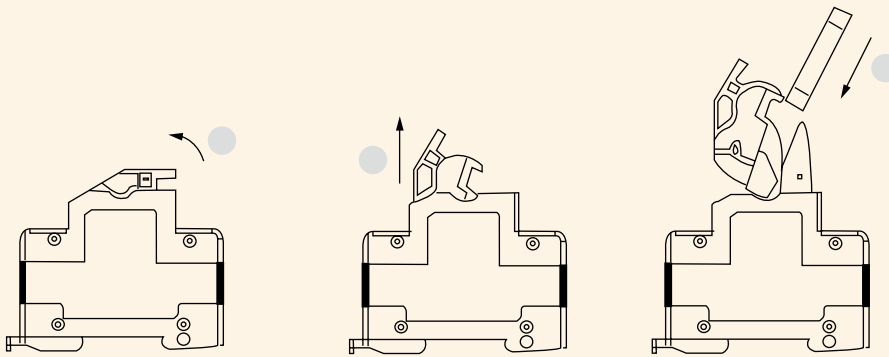
- Photovoltaic system fuse accord with UL248-1 standard.
- Photovoltaic battery dc fuse designed to used for photovoltaic (PV) system.
- Main effect is to protect the solar panels. Solar panels points in effective condition is broken.
- Fault light cells break points at the same time, does not affect other normal work of light from the stack.
- Technical Data Rated coltage: DC1000V Breaking capacity: 25KA Function level: PV.

SOLAR DC FUSE

Dimensions



Installation



Characteristic Curve

